

Heliocol Solar Swimming Pool Heating Solutions suited for Residential and Commercial Pools heating your pool for up to 9 months of the year

With the winter months making the usage of the swimming pools virtually down to zero, ACME POOL & SPA cc, can help lengthen the joy of swimming with one of the best **Solar Pool Heating Systems** on the market today.

The HELIOCOL solar panel is manufactured and imported from Israel and used in various installations around the world.

Why use the Heliocol System

WARRANTY	10 years Factory 20 years Life expectancy - proven not just offered. In continuous manufacture for 36 years. World's number one by unit sales.
SCALING RESISTANT	Polymer exchanger material eliminates calcium build up in the solar panel.
FREEZE RESISTANT	Material not affected by freezing conditions.
LIGHT WEIGHT	The HELIOCOL solar collector only weighs up to 5.5kg/m ² full of water.

Residential Pool Heating Solutions

MEMORABLE MOMENTS IN THE SWIMMING POOL

For thousands of South Africans, we have extended their investment of their swimming pools up to 9 months of the year and helped to make the family pool fun more memorable with the Heliocol Solar Pool Heating System.

WHICH SIZE SYSTEM WILL SUIT YOU BEST?

The size of the system is calculated according to the size of the swimming pool, the placement of installation and the distance from the solar panels to the pump.

- Systems are installed on a North facing pitched or flat roof.
- Systems are calculated to give 6°C to 8°C pool temperature rise without a solar blanket.



Sport Facilities Pool Heating Solutions

TRAINING THE SWIMMING POOL ATHLETES OF TOMORROW

As South Africa's sport industry keeps on growing, we here at ACME POOL & SPA cc, believe that our water athletes should be provided with the best training opportunities available to help them grow into the winners of tomorrow. We provide the solution to this by heating up the swimming pool water to give the athletes the benefit of comfortable & longer training periods during the year.

We have installed solar pool heating systems for various schools and water sports training facilities that train from Olympic hopefuls e.g. swimmers, high divers, underwater hockey, water polo players and synchronised swimming to scuba divers.

With better training conditions you can ensure that the athletes that you train today or the sporting event that you host will have a safe and comfortable environment.

SIZING THE SYSTEM FOR YOUR FACILITY?

The size of the system is calculated according to the size of the swimming pool, the placement of installation and the distance from the solar panels to the pump.

HELIOCOL SYSTEM INSTALLED AT THE FOLLOWING FACILITIES:

Pharmac House, Jeppestown
Edenvale High School
De La Salle Holy Cross College High School
Brits Leather (Tannery)
St. Teresa's High School
American International School
St. Teresa's Mercy School
Sabi Sabi Earth Lodge
Pines Resort (Roodepoort)
St. David's Marist Inanda
Midstream Estate Gym
Lusaka International Community School
Amber Glen Retirement Village (Howick)
Christian Brothers College Mount Edmund
Rand Park Ridge High School (Randburg)
Scubavercity (Roodepoort)
Pretoria University (High Performance Centre)
Pirates Swimming Club
Nadine's Aquatics (Alberton)
Waterkloof High Preparatory School (Pretoria)
University of Witwatersrand (Parktown Campus)
Christ Church Preparatory School & College (Midrand)
Montrose Primary School (Sandton)
St. Mary's DSG
Grayston Preparatory (Sandton)
Monument Primary (Pretoria)
Holy Rosary School (Edenvale)



Centurion Swimming & Aqua Centre
American International School (Pretoria)
Afrikaans Seun's Hoërskool (Pretoria)
Woodhill College
Marion College (Linmeyer)
St. Mary's - Waverley
Kyalami Preparatory School
St. Stithians College (Sandton)
Irenas Swim School (Kempton Park)
St. Dominic's (Boksburg)
Hillcrest Amateur Swimming Club (Pretoria)
Marula Mountain Lodge (Bela Bela)
La Salle (Roodepoort)
Grey College (Bloemfontein)

Heliocol has been used in various commercial facilities from Olympic Games to hotels and resorts across the world.
 Here in South Africa, we have installed and running successful Heliocol Solar Pool Heating Systems at various Schools, Universities and Diving schools.

Hotel & Resort Pool Heating Solutions



Installed at Sun City Vacation Club and various Hotels and Resorts across the world.

Heliocol has insured that the clients of hotel's and resort's has a more comfortable and relaxed experience in the pool.

We have cost effective solutions that will save money by reducing the swimming pools heating costs, while prolonging the use of the investment in your pool facility.

How does a HELIOCOL Solar System Work?

A typical Heliocol Solar Pool Heating System is plumbed into existing pool plumbing. Even if your system is not identical to the one shown, the illustration can help you understand the flow of water from the pool, through the pump, filter, solar system and back to the pool.

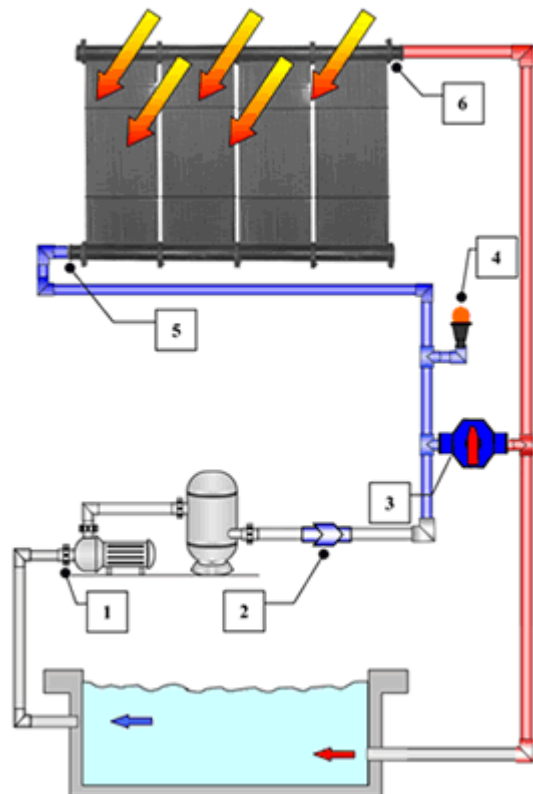
Notice that the union check valve is plumbed in **after** the filter. This prevents the filter from being backwashed by the water draining down from the panels when the pump shuts off.

Notice also that the 2-way valve either diverts the water to the solar system or directly back to the pool.

It

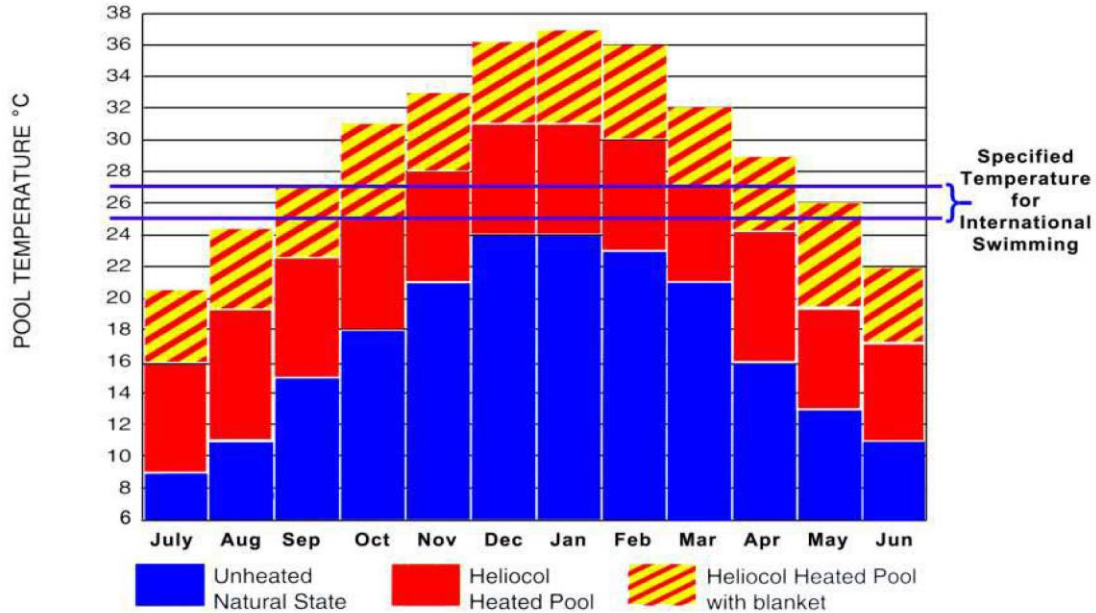
Features a 5mm hole through the ball of the valve to enable water in the solar system to drain back to the pool when the pump shuts off.

1. Using the existing circulation pump the water flows through the filter and then directed to the collectors.
2. Check valve for preventing backwash of the filter when the collectors drain down.
3. 2 Way valves that direct the water to the collectors when there is efficient sun radiation.
4. Vacuum release valve for automatic draining of the panels after the solar system shuts off.
5. Inlet to the solar panels at the lowest side of the bank, using the "reverse return" method.
6. Outlet from the solar panels back to the pool.



POOL TEMPERATURE / USAGE CHART

70 % System - Johannesburg



Heliocol Unique Features

OVERMOULDING TECHNOLOGY

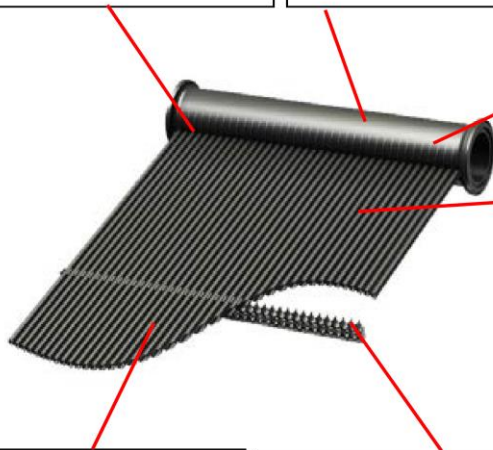
A unique injection process that connects the riser tubes to the manifold header to create a panel which is literally a one plastic unit.

CYLINDRICAL SHAPE

All parts are rounded, with no sharp angles, so as to avoid stress concentration or the risk of busting at high pressure.

FINS

Provides added strength to the unit while preventing differential thermal expansion and distortion of the system.



SPECIAL FORMULATED MATERIAL

Tested in authorized labs, and proved as stabilized against the effects of sustained UV radiation, extreme weather conditions and aging.

INDIVIDUAL TUBE DESIGN

Minimizes wind effects on the panel and creates an extreme mechanical stability.

SPACER BARS

Prevents distortion of the panel over time, due to and the abrasion of the riser tubes the thermal expansion of the panel.

MODULAR STRUCTURE

Enables fast & firm connection between panels, to create any desired absorption area for any roof type.

PARTS & FITTINGS

All plastic, for simple connection between panels and standard plumbing pipes.

